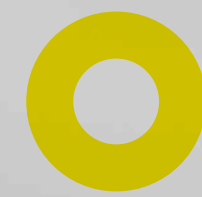


CATÁLOGO DE PRODUCTOS





ENCUÉNTRANOS

CUENCA-ECUADOR

SEBASTIÁN DE BENALCAZAR 1-88 Y NUÑEZ DE BONILLA



072863618-0984259229



PRODUCTOS

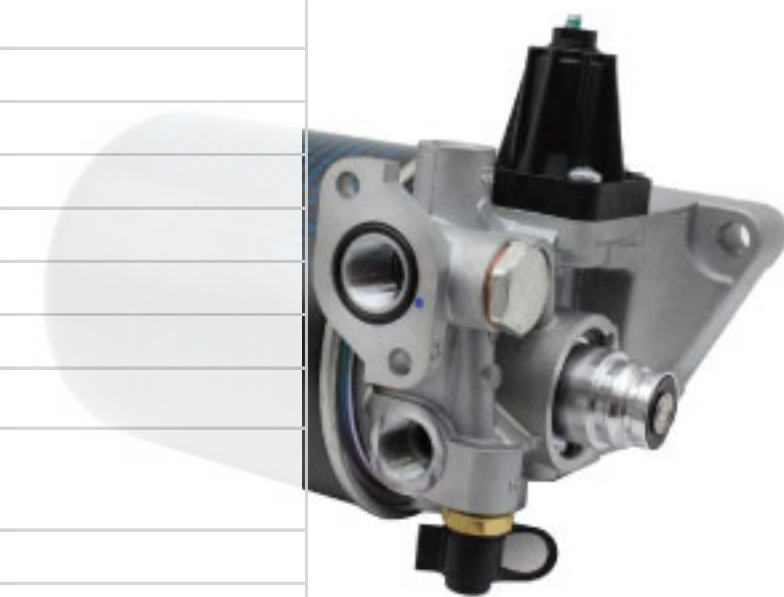


CODIGO	DESCRIPCION	MARCA
EAN13	CRUCETA 39x118 ISUZU NQR QMC YC4102	UNIVERSAL JOINT GIVIG/INDIA
EAN14	CRUCETA ISUZU 4HG1 33x104	UNIVERSAL JOINT GIVIG/INDIA
EAN15	CRUCETA ISUZU 4JB1 29x77	UNIVERSAL JOINT GIVIG/INDIA
EAN16	CRUCETA ISUZU 4JH1-HYLUX 27x82	UNIVERSAL JOINT GIVIG/INDIA
EAN17	CRUCETA ISUZU FTR 42x115	UNIVERSAL JOINT GIVIG/INDIA
EAN18	CRUCETA ISUZU NPR/4HG1 30x106	UNIVERSAL JOINT GIVIG/INDIA
EAN19	CRUCETA ISUZU FVR 46X142	UNIVERSAL JOINT GIVIG/INDIA
EAN20	CRUCETA HINO H07C 44X125.5	UNIVERSAL JOINT GIVIG/INDIA
EAN21	CRUCETA HINO GH 47x144	UNIVERSAL JOINT GIVIG/INDIA
EAN22	CRUCETA NISSAN FE6 FD6 35.5x119.2	UNIVERSAL JOINT GIVIG/INDIA
EAN23	CRUCETA HINO AK/GH 50X165	UNIVERSAL JOINT GIVIG/INDIA
EAN24	CRUCETA HINO FD H06CT 40x115	UNIVERSAL JOINT GIVIG/INDIA
EAN25	CRUCETA HINO FB DUTRO 35x99	UNIVERSAL JOINT GIVIG/INDIA
EAN26	CRUCETA HINO H07CT GD FF 44x125.5	UNIVERSAL JOINT GIVIG/INDIA
EAN27	CRUCETA HINO GD ANTIGUO 47x136	UNIVERSAL JOINT GIVIG/INDIA
EAN28	CRUCETA TOYOTA 15B 33x96	UNIVERSAL JOINT GIVIG/INDIA
EAN29	CRUCETA ISUZU SUPER FVR 56x174	UNIVERSAL JOINT GIVIG/INDIA
EAN30	CRUCETA HYUNDAI H1/TQ ISUZU 4JH1 27x80	UNIVERSAL JOINT GIVIG/INDIA
EAN31	TERMINAL BARRA DIRECCION LH HINO H06 07CT	HCK/TAIWAN
EAN32	TERMINAL BARRA DIRECCION RH HINO H06 07CT	HCK/TAIWAN
EAN33	TERMINAL BARRA DIRECCION RH MITSUBISHI 4D34/HD72-78 18x20	555/JAPAN
EAN34	TERMINAL BARRA DIRECCION LH MITSUBISHI 4D34/HD72-78 18x20	555/JAPAN
EAN35	TERMINAL BARRA DIRECCION LH HINO 300 DUTRO 22x20	HCK/TAIWAN
EAN36	TERMINAL BARRA DIRECCION RH HINO 300 DUTRO 22x20	HCK/TAIWAN
EAN37	TERMINAL BARRA DIRECCION LH HINO 300 DUTRO MOD	HCK/TAIWAN
EAN38	TERMINAL BARRA DIRECCION RH HINO 300 DUTRO MOD	HCK/TAIWAN
EAN39	TERMINAL BARRA DIRECCION LH HINO 700 FS	HCK/TAIWAN
EAN40	TERMINAL BARRA DIRECCION RH HINO 700 FS	HCK/TAIWAN
EAN41	TERMINAL BARRA DIRECCION LH HINO AK 13-	HCK/TAIWAN
EAN42	TERMINAL BARRA DIRECCION RH HINO AK 13-	HCK/TAIWAN
EAN43	TERMINAL BARRA DIRECCION RH ISUZU 6HE1	HCK/TAIWAN
EAN44	TERMINAL BARRA DIRECCION LH ISUZU 6HE1	HCK/TAIWAN





CODIGO	DESCRIPCION	MARCA
EAN45	TERMINAL BARRA DIRECCION LH ISUZU FVR	HCK/TAIWAN
EAN46	TERMINAL BARRA DIRECCION RH ISUZU FVR	HCK/TAIWAN
EAN47	TERMINAL BARRA DIRECCION LH MITSUBISHI 4D34/HD72-78 22x19	HCK/TAIWAN
EAN48	TERMINAL BARRA DIRECCION RH MITSUBISHI 4D34/HD72-78 22x19	HCK/TAIWAN
EAN49	BARRA CORTA HINO FM2	HCK/TAIWAN
EAN50	BARRA CORTA ISUZU FVR/FVZ/6HK1T	HCK/TAIWAN
EAN51	BARRA CORTA ISUZU NLR/NMR 4JJ1 2012-	HCK/TAIWAN
EAN52	BARRA CORTA ISUZU NPR CAJETIN A FRONTAL	HCK/TAIWAN
EAN53	BARRA CORTA ISUZU NPR/4HG1 2000-	HCK/TAIWAN
EAN54	BARRA CORTA ISUZU FTR/6HE1	HCK/TAIWAN
EAN55	BARRA CORTA ISUZU NKR/NHR/4JB1	HCK/TAIWAN
EAN56	BARRA CORTA ISUZU 4HK1	HCK/TAIWAN
EAN57	SECADOR AIRE HINO GH FG AK DU-3	HCK/TAIWAN
EAN58	KIT SECADOR HINO GH FG AK FM1 DU-3	HCK/TAIWAN
EAN59	KIT SECADOR HINO DU-6	HCK/TAIWAN
EAN60	KIT SECADOR HINO DU-5	HCK/TAIWAN
EAN61	VALVULA COLECTOR ESCAPE UNIV	HCK/TAIWAN
EAN62	COLECTOR ESCAPE 4 HUECOS HINO GH FG AK FC	HCK/TAIWAN
EAN63	PULMON FRENO MAQUINA UNIV	HCK/TAIWAN
EAN64	VALVULA GOVERNO HINO GH FG AK FC	HCK/TAIWAN
EAN65	BOOSTER EMBRAGUE 70MM	HCK/TAIWAN
EAN66	BOOSTER EMBRAGUE 90MM	HCK/TAIWAN
EAN67	BOOSTER EMBRAGUE 105x18MM	HCK/TAIWAN
EAN68	BOOSTER EMBRAGUE 105x22mm	HCK/TAIWAN
EAN69	BOOSTER CAJA CAMBIOS HINO GH AK FG FM	HCK/TAIWAN
EAN70	BOOSTER CAJA CAMBIOS HINO 700	OEM/TAIWAN
EAN71	RULIMAN EMBRAGUE CON BOOSTER MITSUBISHI 4D34	OEM/TAIWAN
EAN72	RULIMAN EMBRAGUE NISSAN ZD30-TD27-TD42	NSK
EAN73	RULIMAN EMBRAGUE TOYOTA B-3B	NSK
EAN74	RULIMAN EMBRAGUE TOYOTA 13B-14B	NSK
EAN75	RULIMAN EMBRAGUE TOYOTA 15B	NSK
EAN76	RULIMAN EMBRAGUE MITSUBISHI 4D30-32	NSK



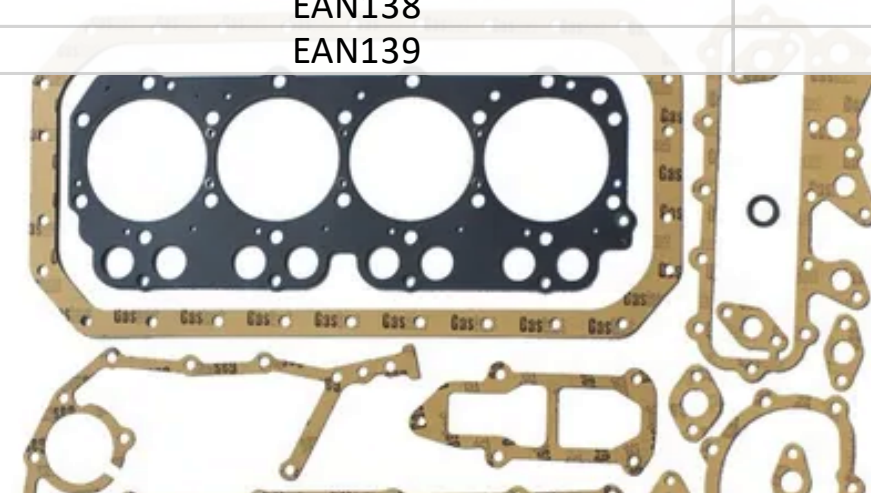
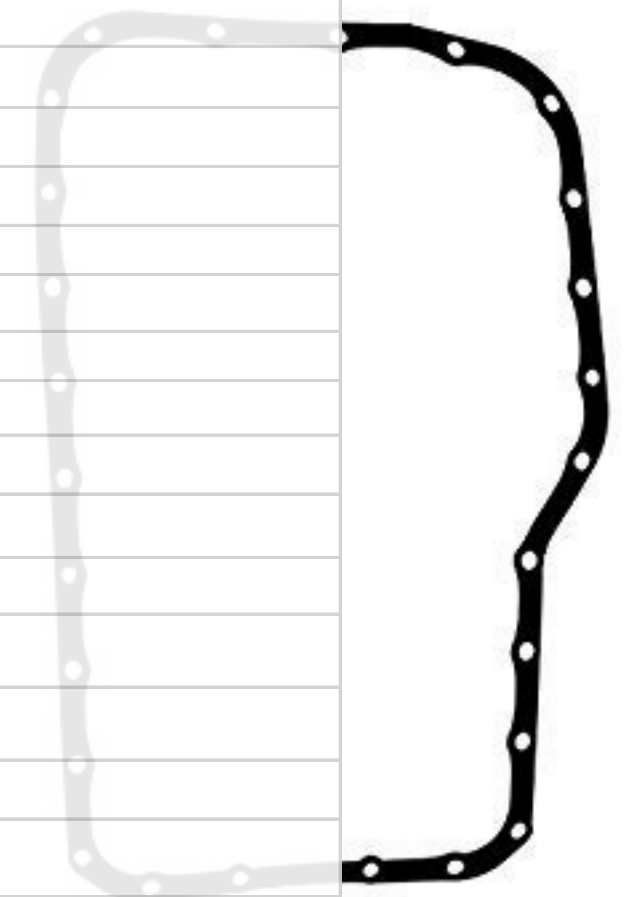


CODIGO	DESCRIPCION	MARCA
EAN77	RULIMAN EMBRAGUE MITSUBISHI 4D34-HD72	NSK
EAN78	RULIMAN EMBRAGUE ISUZU 4HG1-NPR	NSK
EAN79	RULIMAN EMBRAGUE ISUZU 4HK1-G1	NSK
EAN80	RULIMAN EMBRAGUE ISUZU 4JA1	NSK
EAN81	RULIMAN EMBRAGUE ISUZU 4JB1	NSK
EAN82	RULIMAN EMBRAGUE ISUZU 4JH1	NSK
EAN83	RULIMAN EMBRAGUE ISUZU 6HK1/4HK1	NSK
EAN84	RULIMAN EMBRAGUE HINO DUTRO 716-816	NSK
EAN85	RULIMAN EMBRAGUE HINO FB2-EH700	KOYO
EAN86	RULIMAN EMBRAGUE HINO FB-W04	NSK
EAN87	RULIMAN EMBRAGUE HINO FC-GD	KOYO
EAN88	RULIMAN EMBRAGUE HINO GH-FG	KOYO
EAN89	RULIMAN EMBRAGUE HINO 700	SACHS/GERMANY
EAN90	RULIMAN EMBRAGUE HYUNDAI HD170	NSK
EAN91	RULIMAN EMBRAGUE KIA 3.5 3.6	NSK
EAN92	VOLANTE EMBRAGUE ISUZU 6HE1/ FTR 14*129*8*16.5	HCK/TAIWAN
EAN93	VOLANTE EMBRAGUE ISUZU 6HE1/ FTR 15*140*8*16.5	HCK/TAIWAN
EAN94	VOLANTE EMBRAGUE ISUZU 4HK1 NQR 2014- 13*138*8	HCK/TAIWAN
EAN95	VOLANTE EMBRAGUE ISUZU 4HG1 NPR 00-14 12*138*8	HCK/TAIWAN
EAN96	VOLANTE EMBRAGUE ISUZU 4BD1 NPR -00 12*128*8*14.5	HCK/TAIWAN
EAN97	VOLANTE EMBRAGUE HINO H06 13*129*8	HCK/TAIWAN
EAN98	VOLANTE EMBRAGUE HINO H07/J05 14*129*8	HCK/TAIWAN
EAN99	VOLANTE EMBRAGUE HINO J08 15*129*8*14.5	HCK/TAIWAN
EAN100	VOLANTE EMBRAGUE HINO EH700/FB 12*121*6*14.5	HCK/TAIWAN
EAN101	VOLANTE EMBRAGUE MITSUBISHI 4D34/HD72 12*114*6*15	HCK/TAIWAN
EAN102	JUEGO EMPAQUE HINO H06CT	OEM/TAIWAN
EAN103	EMPAQUE CARTER HINO H06CT	OEM/TAIWAN
EAN104	EMPAQUE TURBO HINO H06CT (UNI)	OEM/TAIWAN
EAN105	EMPAQUE TAPA VAL HINO H06CT	OEM/TAIWAN
EAN106	EMPAQUE MULT EX HINO H06CT (JGO)	OEM/TAIWAN
EAN107	EMPAQUE MULT IN HINO H06CT	OEM/TAIWAN
EAN108	JGO EMPAQUE HINO N04CT	OEM/TAIWAN
EAN109	EMPAQUE CARTER HINO N04CT	OEM/TAIWAN
EAN110	EMPAQUE TAPA VALV HINO N04CT	OEM/TAIWAN

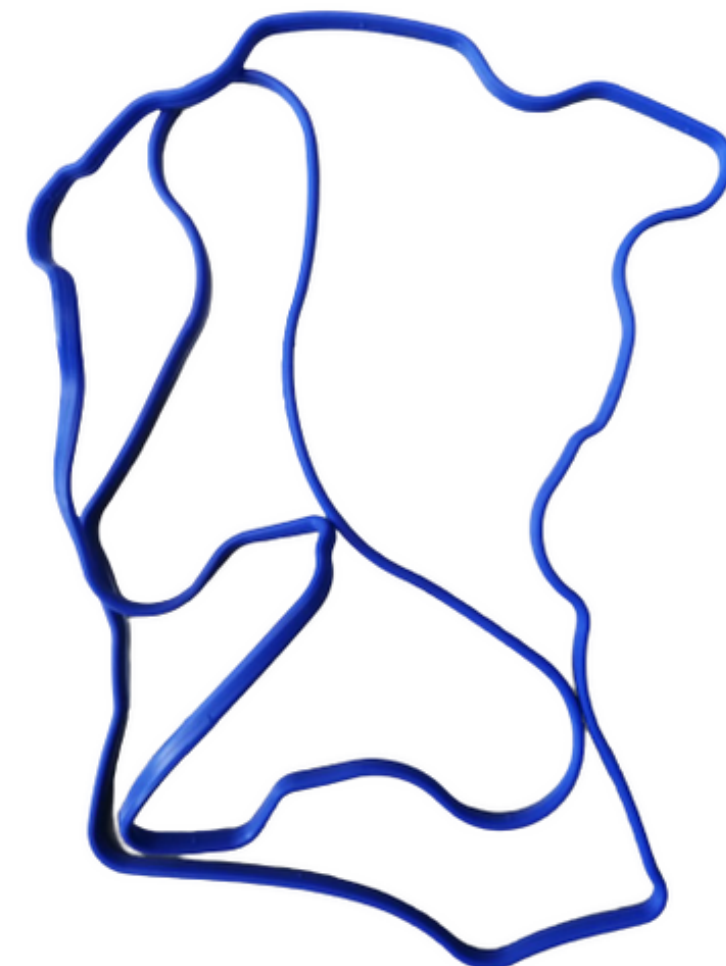
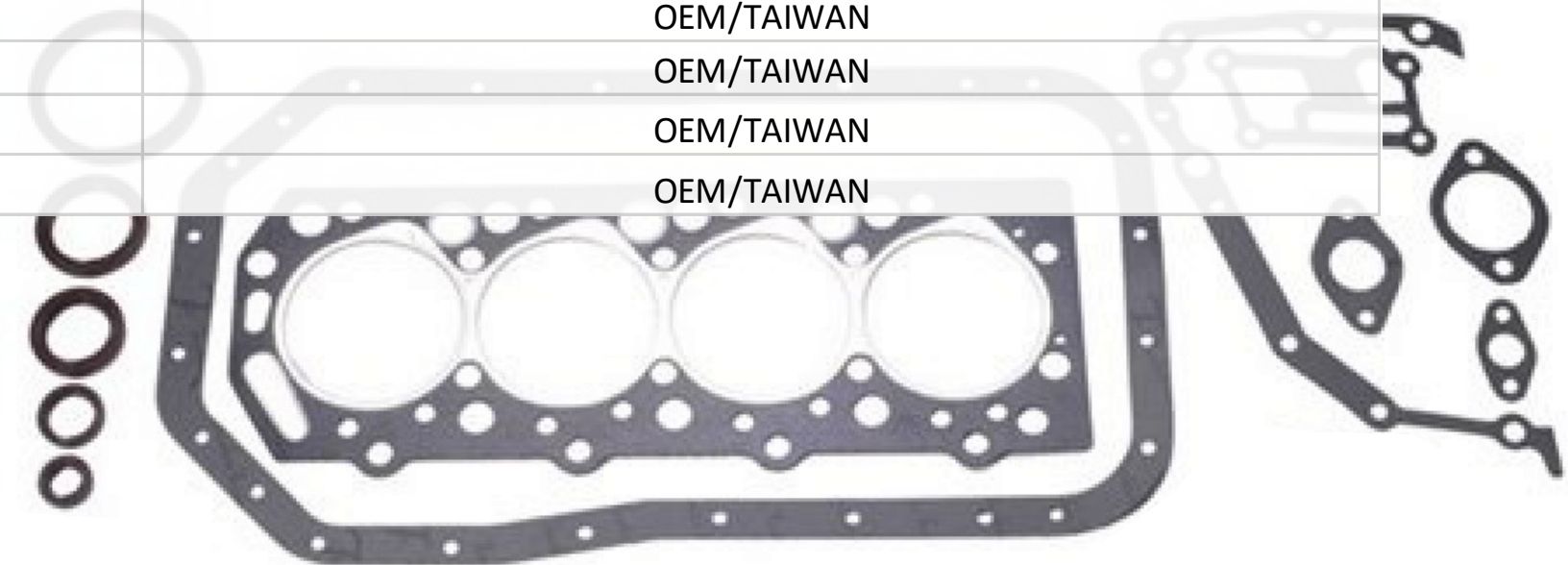




CODIGO	DESCRIPCION	MARCA
EAN111	EMPAQUE MULT EX HINO N04CT (JGO)	OEM/TAIWAN
EAN112	CAUCHO INYECTOR HINO N04CT (JGO)	OEM/TAIWAN
EAN113	EMPAQUE MULT IN HINO N04CTCT	OEM/TAIWAN
EAN114	JUEGO EMPAQUE HINO J08CT	OEM/TAIWAN
EAN115	EMPAQUE CARTER HINO J08CT	OEM/TAIWAN
EAN116	EMPAQUE TURBO 6 HUECOS HINO J08CT (UNI)	OEM/TAIWAN
EAN117	EMPAQUE TAPA VALV HINO J08CT AZUL	OEM/TAIWAN
EAN118	EMPAQUE TAPA VALV HINO J08CT NEGRO	OEM/TAIWAN
EAN119	EMPAQUE MULT EX HINO J08CT/J05CT (UNI)	OEM/TAIWAN
EAN120	EMPAQUE TURBO 4 HUECOS HINO J08CT (UNI)	OEM/TAIWAN
EAN121	JGO EMPAQUE HINO J05CT	OEM/TAIWAN
EAN122	EMPAQUE CARTER HINO J05CT	OEM/TAIWAN
EAN123	EMPAQUE TAPA VAL HINO J05CT AZUL	OEM/TAIWAN
EAN124	EMPAQUE TAPA VALV HINO J05CT NEGRO	OEM/TAIWAN
EAN125	EMPAQUE TURBO 4 HUECOS RECT HINO H07CT/J05 (UNI)	OEM/TAIWAN
EAN126	JGO EMPAQUE ISUZU 4JB1	OEM/TAIWAN
EAN127	EMPAQUE CARTER ISUZU 4JB1/JAC1035	OEM/TAIWAN
EAN128	EMPAQUE TAPA VALV ISUZU 4JA1/B1/H1 JAC1035/1040	OEM/TAIWAN
EAN129	EMPAQUE MULT IN ISUZU 4JA1/B1/H1 JAC1035/1040	OEM/TAIWAN
EAN130	EMPAQUE MULT EX ISUZU 4JA1/B1/H1 JAC1035/1040	OEM/TAIWAN
EAN131	EMPAQUE CARTER T/MEDIA LUNA ISUZU 4JA1/H1	OEM/TAIWAN
EAN132	EMPAQUE DISTRIBUCION 4JB1 ASVESTO	OEM/TAIWAN
EAN133	EMPAQUE BASE TERMOSTATO ISUZU 4JA1/B1/H1 JAC1035/1040	OEM/TAIWAN
EAN134	EMPAQUE DISTRIBUCION T/CAUCHO ISUZU 4JA1/B1/H1 JAC1035/1040 UNIDAD	OEM/TAIWAN
EAN135	JGO EMPAQUE ISUZU 4JH1	OEM/TAIWAN
EAN136	JGO EMPAQUE ISUZU 4HG1	OEM/TAIWAN
EAN137	EMPAQUE CARTER ISUZU 4HG1	OEM/TAIWAN
EAN138	EMPAQUE TAPA VALV ISUZU 4HG1	OEM/TAIWAN
EAN139	EMPAQUE MULT EX ISUZU 4HG1/4HK1	OEM/TAIWAN



CODIGO	DESCRIPCION	MARCA
EAN140	JGO EMPAQUE ISUZU 4HK1	OEM/TAIWAN
EAN141	EMPAQUE CARTER ISUZU 4HK1	OEM/TAIWAN
EAN142	EMPAQUE TAPA VALV ISUZU 4HK1	OEM/TAIWAN
EAN143	EMPAQUE MULT IN ISUZU 4HG1/K1	OEM/TAIWAN
EAN144	JGO EMPAQUE MITSUBISHI 4D31	OEM/TAIWAN
EAN145	EMPAQUE CARTER MITSUBISHI 4D31	OEM/TAIWAN
EAN146	EMPAQUE TAPA VALV MITSUBISHI 4D31-34	OEM/TAIWAN
EAN147	EMPAQUE MULT EX MITSUBISHI 4D31-34 (JGO)	OEM/TAIWAN
EAN148	EMPAQUE MULT IN MITSUBISHI 4D31-34 (JGO)	OEM/TAIWAN
EAN149	JGO EMPAQUE HYUNDAI H100/H1 4D56 8V	OEM/TAIWAN
EAN150	EMPAQUE CARTER HYUNDAI H100/H1 4D56 8V	OEM/TAIWAN
EAN151	EMPAQUE TURBO HYUNDAI H100/H1 4D56 8V (JGO DE 2)	OEM/TAIWAN
EAN152	EMPAQUE TAPA VALVULAS HYUNDAI H100/H1 4D56 8V	OEM/TAIWAN
EAN153	EMPAQUE MULTIPLE EX HYUNDAI H100/H1 4D56 8V	OEM/TAIWAN



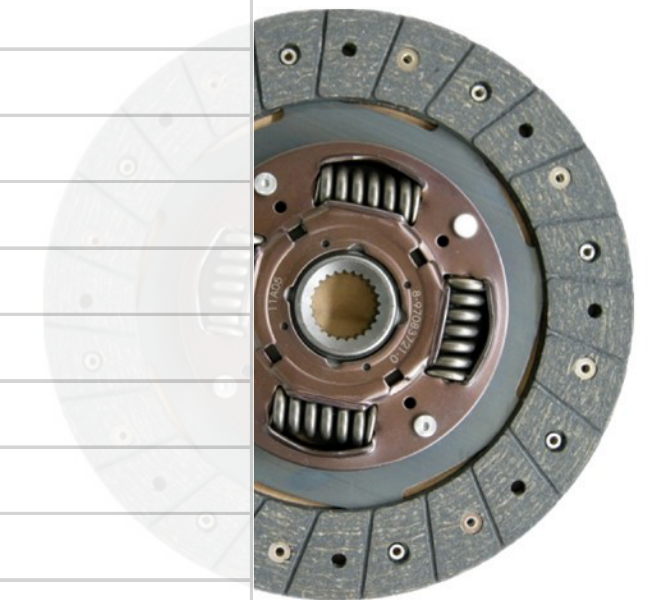


DISCOS Y PLATOS

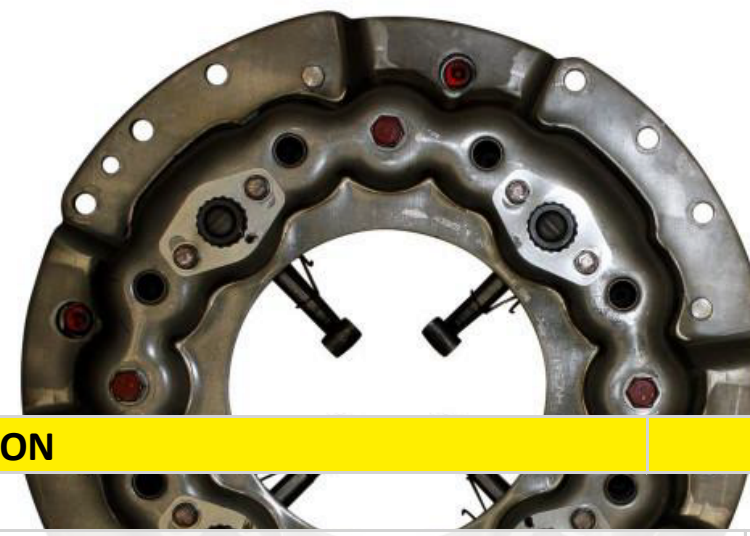
DISCOS Y PLATOS



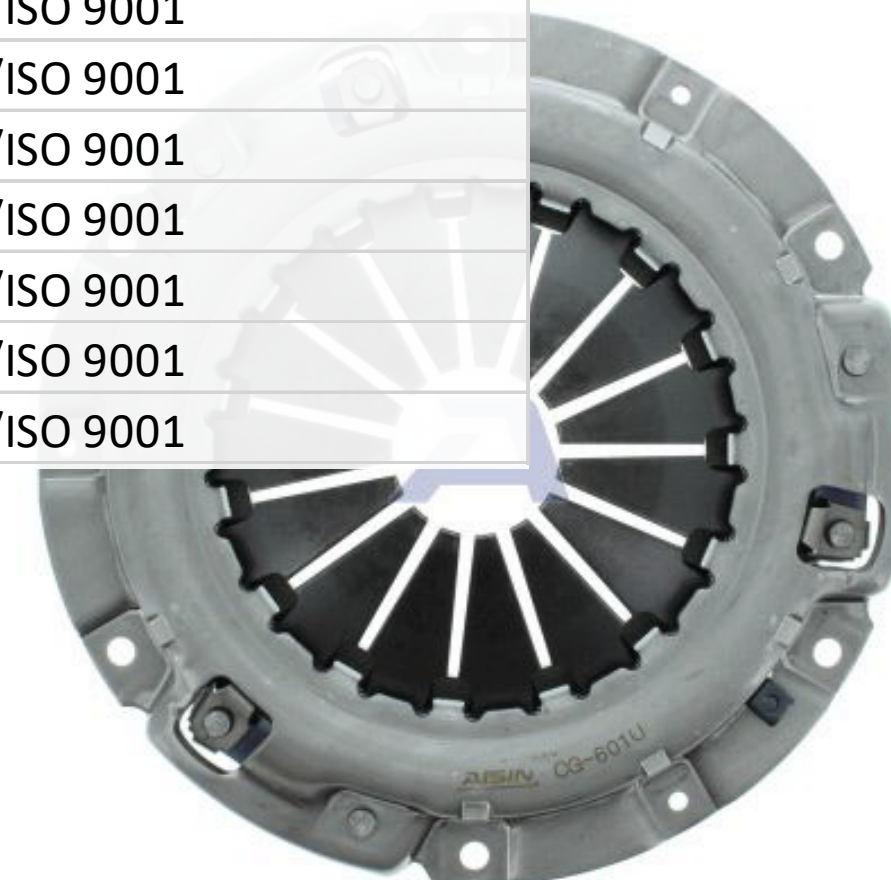
CODIGO	DESCRIPCION	MARCA
EAN154	DISCO EMBRAGUE ISUZU 4JA1 225*150*24*25.6	DALISHEN/TAIW/ISO 9001
EAN155	DISCO EMBRAGUE ISUZU 4JB1T 250*160*24*25.6	DALISHEN/TAIW/ISO 9001
EAN156	DISCO EMBRAGUE ISUZU 4BD1 275*180*24*25.6	DALISHEN/TAIW/ISO 9001
EAN157	DISCO EMBRAGUE ISUZU 4BD1 300*190*24*25.6	DALISHEN/TAIW/ISO 9001
EAN158	DISCO EMBRAGUE ISUZU 6BD1 300*190*10*38.1	DALISHEN/TAIW/ISO 9001
EAN159	DISCO EMBRAGUE ISUZU 4BC2 260*170*24*25,6	DALISHEN/TAIW/ISO 9001
EAN160	DISCO EMBRAGUE ISUZU 4HF/4HG1 300*190*21*28.9	DALISHEN/TAIW/ISO 9001
EAN161	DISCO EMBRAGUE ISUZU 6HE1 350*220*10*38.1	DALISHEN/TAIW/ISO 9001
EAN162	DISCO EMBRAGUE ISUZU 6HE1 380*240*10*38.1	DALISHEN/TAIW/ISO 9001
EAN163	DISCO EMBRAGUE ISUZU 4HK1 325*210*14*35.2	DALISHEN/TAIW/ISO 9001
EAN164	DISCO EMBRAGUE HINO J08CT 380*220*10*44.5	DALISHEN/TAIW/ISO 9001
EAN165	DISCO EMBRAGUE HINO H06CT 350*220*10*44.4	DALISHEN/TAIW/ISO 9001
EAN166	DISCO EMBRAGUE HINO EK100 430*250*18*50	DALISHEN/TAIW/ISO 9001
EAN167	DISCO EMBRAGUE HINO EV700 430*250*10*50.8	DALISHEN/TAIW/ISO 9001
EAN168	DISCO EMBRAGUE HINO N04CT 325*210*14*32.4	DALISHEN/TAIW/ISO 9001
EAN169	DISCO EMBRAGUE HINO EH700 325*210*10*38.1	DALISHEN/TAIW/ISO 9001
EAN170	DISCO EMBRAGUE TOYOTA B/2B 260*170*21*29.8	DALISHEN/TAIW/ISO 9001
EAN171	DISCO EMBRAGUE TOYOTA 13B 275*180*21*29.8	DALISHEN/TAIW/ISO 9001
EAN172	DISCO EMBRAGUE TOYOTA 15B 300*190*14*32.4	DALISHEN/TAIW/ISO 9001
EAN173	DISCO EMBRAGUE NISSAN FD6T 325*210*16*30	DALISHEN/TAIW/ISO 9001
EAN174	DISCO EMBRAGUE NISSAN FD6T 300*190*16*30	DALISHEN/TAIW/ISO 9001
EAN175	DISCO EMBRAGUE NISSAN PKC212 380*220*10*44.5	DALISHEN/TAIW/ISO 9001
EAN176	DISCO EMBRAGUE NISSAN PKC212 380*240*10*44.7	DALISHEN/TAIW/ISO 9001
EAN177	DISCO EMBRAGUE MITSUBISHI 4D30 260*170*10*29	DALISHEN/TAIW/ISO 9001
EAN178	DISCO EMBRAGUE MITSUBISHI 4D31 260*170*14*29	DALISHEN/TAIW/ISO 9001



DISCOS Y PLATOS



CODIGO	DESCRIPCION	MARCA
EAN179	DISCO EMBRAGUE MITSUBISHI 4D32 275*175*14*29	DALISHEN/TAIW/ISO 9001
EAN180	DISCO EMBRAGUE MITSUBISHI 6D14/4D34T 300*190*14*35.2	DALISHEN/TAIW/ISO 9001
EAN181	DISCO EMBRAGUE MITSUBISHI 6D16 350*220*14*4.5	DALISHEN/TAIW/ISO 9001
EAN182	DISCO EMBRAGUE MITSUBISHI 6D22 430*250*14*48	DALISHEN/TAIW/ISO 9001
EAN183	DISCO EMBRAGUE HYUNDAI H100 225*150*23*26,1	DALISHEN/TAIW/ISO 9001
EAN184	DISCO EMBRAGUE HYUNDAI H1/H100 240*160*23*26.1	DALISHEN/TAIW/ISO 9001
EAN185	DISCO EMBRAGUE HYUNDAI H1/TQ 250*170*23*26,3	DALISHEN/TAIW/ISO 9001
EAN186	PLATO EMBRAGUE ISUZU 4JA1 225*150*251	DALISHEN/TAIW/ISO 9001
EAN187	PLATO EMBRAGUE ISUZU 4JB1T 250*160*278	DALISHEN/TAIW/ISO 9001
EAN188	PLATO EMBRAGUE ISUZU 4BE1T 300*190*350	DALISHEN/TAIW/ISO 9001
EAN189	PLATO EMBRAGUE ISUZU 4HG1T 300*190*350	DALISHEN/TAIW/ISO 9001
EAN190	PLATO EMBRAGUE ISUZU 6HE1T/FTR 350*220*379	DALISHEN/TAIW/ISO 9001
EAN191	PLATO EMBRAGUE ISUZU 4HK1 325*210*368 DIAFRAGMA	DALISHEN/TAIW/ISO 9001
EAN192	PLATO EMBRAGUE HINO EK100 430*260*456	DALISHEN/TAIW/ISO 9001
EAN193	PLATO EMBRAGUE HINO EV700 430*250*456 DIAFRAGMA	DALISHEN/TAIW/ISO 9001
EAN194	PLATO EMBRAGUE HINO J08CT 380*220*405	DALISHEN/TAIW/ISO 9001
EAN195	PLATO EMBRAGUE HINO H07CT 350*220*379	DALISHEN/TAIW/ISO 9001
EAN196	PLATO EMBRAGUE HINO H06CT 325*210*368	DALISHEN/TAIW/ISO 9001
EAN197	PLATO EMBRAGUE TOYOTA 14B 275*170*311	DALISHEN/TAIW/ISO 9001
EAN198	PLATO EMBRAGUE TOYOTA 15B 300*190*345	DALISHEN/TAIW/ISO 9001
EAN199	PLATO EMBRAGUE MITSUBISHI 4D32 275*175*311	DALISHEN/TAIW/ISO 9001
EAN200	PLATO EMBRAGUE ISUZU 6HK1 FVR 350*220*379	DALISHEN/TAIW/ISO 9001
EAN201	PLATO EMBRAGUE ISUZU 6HK1 FVR 380*220*405	DALISHEN/TAIW/ISO 9001





IZUMI ORIGINAL

IZUMI ORIGINAL



CODIGO	DESCRIPCION	MARCA
EAN202	JGO PISTON HINO J08C IZUMI ORIGINAL	IZUMI ORIGINAL/ISO9001
EAN203	CAMISA MOTOR ISUZU 4JH1 3.0	IZUMI ORIGINAL/ISO9001
EAN204	CAMISA MOTOR ISUZU 4JB1	IZUMI ORIGINAL/ISO9001
EAN205	CAMISA MOTOR ISUZU 4JA1 2.5	IZUMI ORIGINAL/ISO9001
EAN206	CAMISA MOTOR ISUZU 4HG1	IZUMI ORIGINAL/ISO9001
EAN207	LINER KIT ISUZU 4JA1 2.5	IZUMI ORIGINAL/ISO9001
EAN208	LINER KIT ISUZU 4JJ1 3.0 14-	IZUMI ORIGINAL/ISO9001
EAN209	LINER KIT ISUZU 4JB1	IZUMI ORIGINAL/ISO9001
EAN210	LINER KIT ISUZU 4JH1 3.0	IZUMI ORIGINAL/ISO9001
EAN211	LINER KIT JAC 1050/1063 CUMMINS 4BT	IZUMI ORIGINAL/ISO9001
EAN212	LINER KIT ISUZU C240-3	IZUMI ORIGINAL/ISO9001
EAN213	LINER KIT ISUZU C240-4	IZUMI ORIGINAL/ISO9001

